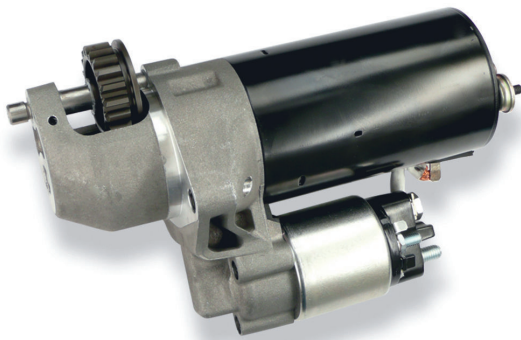


Starter 1.7 kW

www.bosch-motorsport.com



BOSCH
Invented for life



- ▶ 1.7 kW
- ▶ 3,600 x 1/min

This starter is specially constructed for motorsport demand. It is a pre-engaged drive starter; we offer it in clockwise and counter-clockwise version. Further special versions on request.

Application

Max. temperature	150 °C
Vibration	High protection

Technical Specifications

Mechanical Data

Weight	3,700 g
Revolutions	3,600 x 1/min
Module	2,11

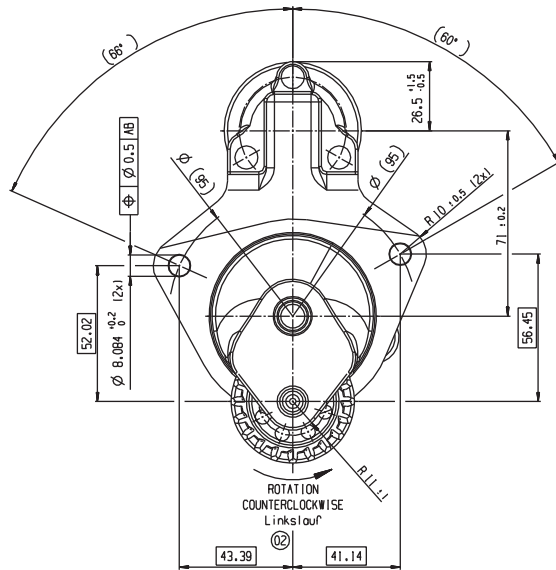
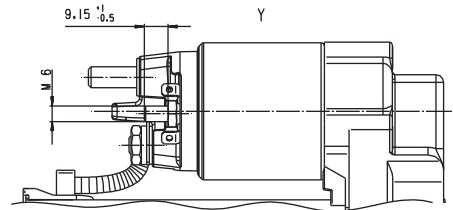
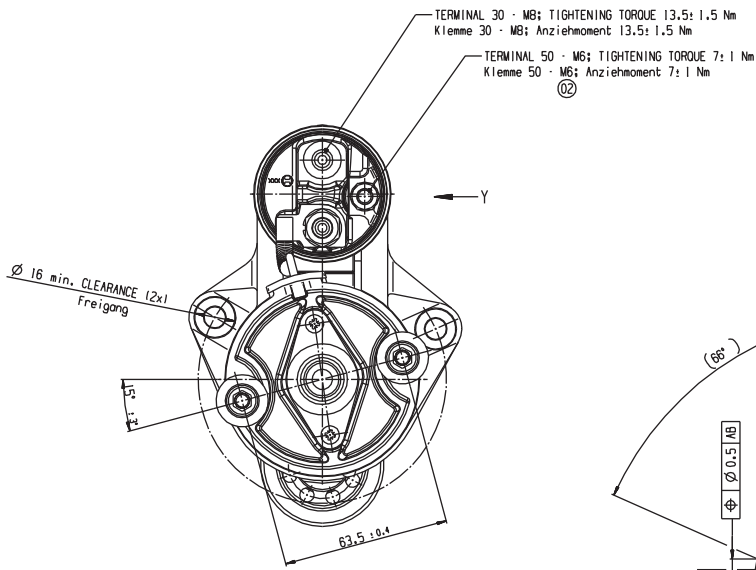
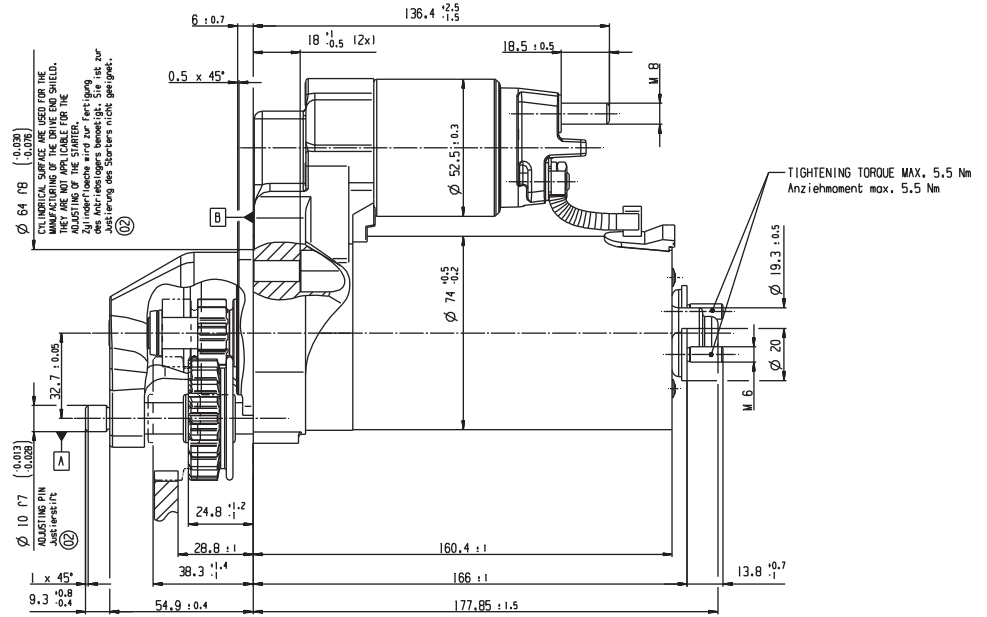
Electrical Data

Performance	1.7 kW
-------------	--------

Ordering Information

Starter 1.7 kW
Order number **on request**

Dimensions



Represented by:

Europe:

Bosch Engineering GmbH
Motorsport
Robert-Bosch-Allee 1
74232 Abstatt
Germany
Tel.: +49 7062 911 9101
Fax: +49 7062 911 79104
motorsport@bosch.com
www.bosch-motorsport.de

North America:

Bosch Engineering North America
Motorsport
38000 Hills Tech Drive
Farmington Hills, MI 48331-3417
United States of America
Tel.: +1 248 876 2977
Fax: +1 248 876 7373
motorsport@bosch.com
www.bosch-motorsport.com

Latin America:

Robert Bosch Ltda
Motorsport
Av Juscelino Kubitscheck de
Oliveira 11800
Zip code 81460-900
Curitiba - Parana
Brasilia
Tel.: +55 41 3341 2057
Fax: +55 41 3341 2779

Asia-Pacific:

Bosch Engineering Japan K.K.
Motorsport
18F Queen's Tower C, 2-3-5 Minato Mirai
Nishi-ku, Yokohama-shi
Kanagawa 220-6218
Japan
Tel.: +81 45 650 5610
Fax: +81 45 650 5611
www.bosch-motorsport.jp

Australia, New Zealand and South Africa:

Robert Bosch Pty. Ltd
Motorsport
1555 Centre Road
Clayton, Victoria, 3168
Australia
Tel.: +61 (3) 9541 3901
motor.sport@au.bosch.com