

# Linear Position Sensor LP 75

www.bosch-motorsport.com



**BOSCH**  
Invented for life



- ▶ Measurement range: 0 to 75 mm
- ▶ Aluminum housing
- ▶ Low power consumption

The LP 75 is a linear potentiometer which is designed to measure the relative position of two points, e.g. the gear position, throttle position or suspension movement.

The operating mode of this sensor is based on the linear tape potentiometer principle where the distance travelled between the moving end to the wiper is proportional to the resistance between them.

The advantage of this LP is its compact and light-weight design together with its wider operating temperature range

## Application

Application	0 to 75 mm
Temperature range	-30 to 100°C
Max. vibration	126 m/s <sup>2</sup> at 10 to 12 kHz

## Technical Specifications

### Mechanical Data

Weight w/o wire	78 g
Min. length	220 mm
Mounting	2 x M5
Tightening torque	10 Nm

Protection	IP66
Max. shaft velocity	10 m/sec

### Electrical Data

Power supply	5 V
Power supply max.	67 V
Nominal resistance	3 kOhm
Resistance tolerance	10 %
Non-linearity	0.15 %

### Connectors and Wires

Connector (see Ordering Information)	KPSE 6E8-33P-DN-A34
Connector loom KPSE 0E8-33S-DN	F 02U 000 115-01
Pin 1	U <sub>s</sub>
Pin 2	Gnd
Pin 3	Sig
Or	
Connector (see Ordering Information)	ASL 6-06-05PA-HE

---

Connector loom ASL 0-06-05SA-HE	F 02U 000 226-01
------------------------------------	------------------

---

Pin 1	U <sub>s</sub>
-------	----------------

---

Pin 2	Gnd
-------	-----

---

Pin 3	Sig
-------	-----

---

Pin 4	-
-------	---

---

Pin 5	-
-------	---

---

Sleeve	DR-25
--------	-------

---

Wire size	AWG 24
-----------	--------

---

Wire length L	15 to 45 cm
---------------	-------------

---

Various motorsport and automotive connectors on request.

---

Please specify the requested wire length with your order.

---

### Installation Notes

---

The LP 75 can be connected directly to most electronic control units and data logging systems.

---

Each mounting orientation is possible.

---

Please find further application hints in the offer drawing at our homepage.

---

### Safety Note

---

The sensor is not intended to be used for safety related applications without appropriate measures for signal validation in the application system.

---

### Ordering Information

---

#### Linear Position Sensor LP 75

Connector KPSE 6E8-33P-DN-A34

Order number **B 261 209 852-01**

---

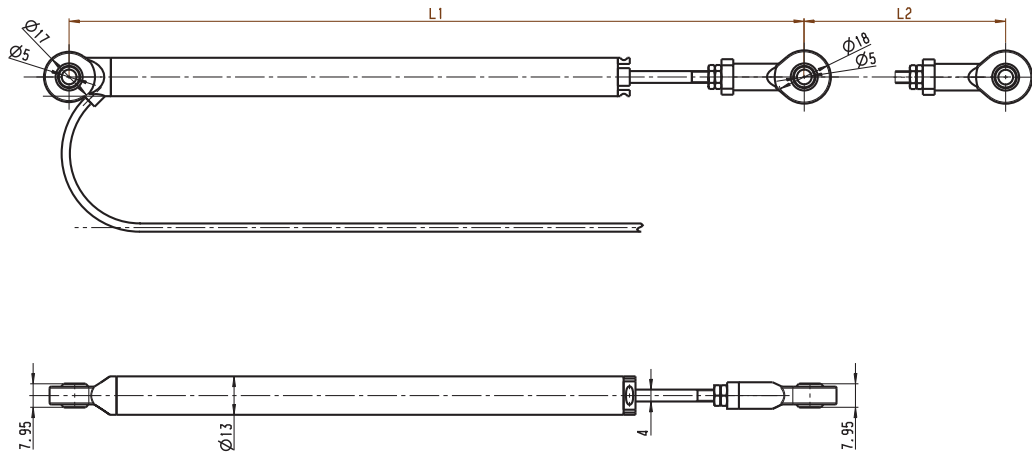
#### Linear Position Sensor LP 75

Connector ASL 6-06-05PA-HE

Order number **B 261 209 856-01**

---

Dimensions



Represented by:

**Europe:**  
 Bosch Engineering GmbH  
 Motorsport  
 Robert-Bosch-Allee 1  
 74232 Abstatt  
 Germany  
 Tel.: +49 7062 911 9101  
 Fax: +49 7062 911 79104  
 motorsport@bosch.com  
 www.bosch-motorsport.de

**North America:**  
 Bosch Engineering North America  
 Motorsport  
 38000 Hills Tech Drive  
 Farmington Hills, MI 48331-3417  
 United States of America  
 Tel.: +1 248 876 2977  
 Fax: +1 248 876 7373  
 motorsport@bosch.com  
 www.bosch-motorsport.com

**Latin America:**  
 Robert Bosch Ltda  
 Motorsport  
 Av Juscelino Kubitschek de  
 Oliveira 11800  
 Zip code 81460-900  
 Curitiba - Parana  
 Brasilia  
 Tel.: +55 41 3341 2057  
 Fax: +55 41 3341 2779

**Asia-Pacific:**  
 Bosch Engineering Japan K.K.  
 Motorsport  
 18F Queen's Tower C, 2-3-5 Minato Mirai  
 Nishi-ku, Yokohama-shi  
 Kanagawa 220-6218  
 Japan  
 Tel.: +81 45 650 5610  
 Fax: +81 45 650 5611  
 www.bosch-motorsport.jp

**Australia, New Zealand and South Africa:**  
 Robert Bosch Pty. Ltd  
 Motorsport  
 1555 Centre Road  
 Clayton, Victoria, 3168  
 Australia  
 Tel.: +61 (3) 9541 3901  
 motor.sport@au.bosch.com