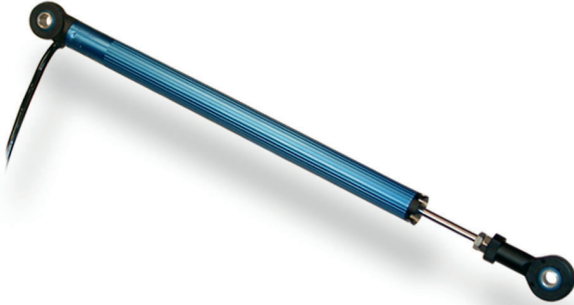


Linear Position Sensor LP 100

www.bosch-motorsport.com



BOSCH
Invented for life



- ▶ Measurement range: 0 to 100 mm
- ▶ Aluminum housing
- ▶ Low power consumption

The LP 100 is a linear potentiometer which is designed to measure the relative position of two points, e.g. the gear position, throttle position or suspension movement.

Its operating mode is based on the linear tape potentiometer principle where the distance travelled between the moving end to the wiper is proportional to the resistance between them.

The advantage of this LP is its compact and light-weight design together with its wider operating temperature range.

Application

Application	0 to 100 mm
Temperature range	-40 to 100°C
Max. vibration	126 m/s ² at 10 to 12 kHz

Technical Specifications

Mechanical Data

Weight w/o wire	85 g
Min. length [L1]	227 mm
Mounting	2 x M5

Tightening torque	10 Nm
-------------------	-------

Protection	IP65
------------	------

Electrical Data

Power supply	5 V
--------------	-----

Power supply max.	74 V
-------------------	------

Nominal resistance	4 kOhm
--------------------	--------

Resistance tolerance	10 %
----------------------	------

Non-linearity	0.15 %
---------------	--------

Connectors and Wires

Connector (see Ordering Information)	KPSE 6E8-33P-DN-A34
--------------------------------------	---------------------

Connector loom KPSE 0E8-33S-DN	F 02U 000 115-01
-----------------------------------	------------------

Pin 1	U _s
-------	----------------

Pin 2	Gnd
-------	-----

Pin 3	Sig
-------	-----

Or

Connector (see Ordering Information)	ASL 6-06-05PA-HE
--------------------------------------	------------------

Connector loom ASL 0-06-05SA-HE	F 02U 000 226-01
------------------------------------	------------------

Pin 1	U _s
-------	----------------

Pin 2	Gnd
-------	-----

Pin 3	Sig
-------	-----

Pin 4	-
-------	---

Pin 5	-
-------	---

Sleeve	DR-25
--------	-------

Wire size	AWG 24
-----------	--------

Wire length L	15 to 25 cm
---------------	-------------

Various motorsport and automotive connectors on request.

Please specify the requested wire length with your order.

Installation Notes

The LP 100 can be connected directly to most electronic control units and data logging systems.

Each mounting orientation is possible.

Please find further application hints in the offer drawing at our homepage.

Safety Note

The sensor is not intended to be used for safety related applications without appropriate measures for signal validation in the application system.

Ordering Information

Linear Position Sensor LP 100

Connector KPSE 6E8-33P-DN-A34

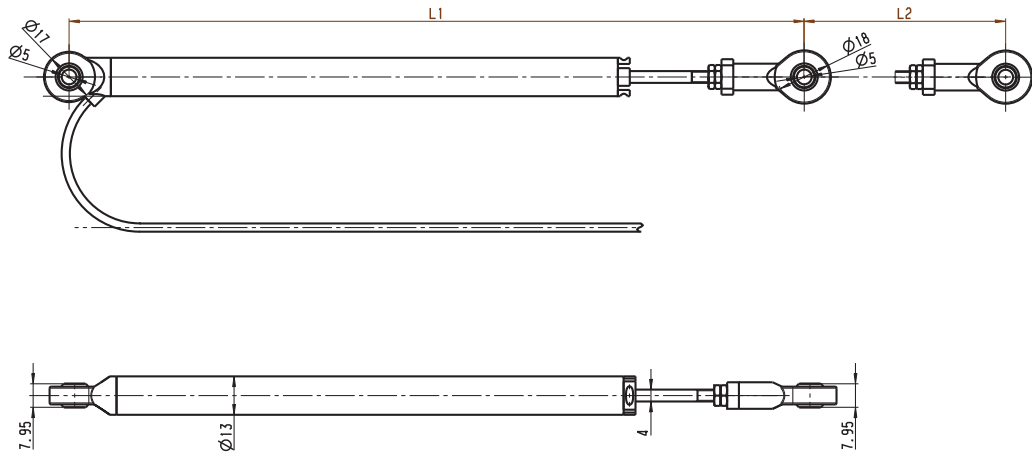
Order number **B 261 209 853-01**

Linear Position Sensor LP 100

Connector ASL 6-06-05PA-HE

Order number **B 261 209 857-01**

Dimensions



Represented by:

Europe:
 Bosch Engineering GmbH
 Motorsport
 Robert-Bosch-Allee 1
 74232 Abstatt
 Germany
 Tel.: +49 7062 911 9101
 Fax: +49 7062 911 79104
 motorsport@bosch.com
 www.bosch-motorsport.de

North America:
 Bosch Engineering North America
 Motorsport
 38000 Hills Tech Drive
 Farmington Hills, MI 48331-3417
 United States of America
 Tel.: +1 248 876 2977
 Fax: +1 248 876 7373
 motorsport@bosch.com
 www.bosch-motorsport.com

Latin America:
 Robert Bosch Ltda
 Motorsport
 Av Juscelino Kubitschek de
 Oliveira 11800
 Zip code 81460-900
 Curitiba - Parana
 Brasilia
 Tel.: +55 41 3341 2057
 Fax: +55 41 3341 2779

Asia-Pacific:
 Bosch Engineering Japan K.K.
 Motorsport
 18F Queen's Tower C, 2-3-5 Minato Mirai
 Nishi-ku, Yokohama-shi
 Kanagawa 220-6218
 Japan
 Tel.: +81 45 650 5610
 Fax: +81 45 650 5611
 www.bosch-motorsport.jp

Australia, New Zealand and South Africa:
 Robert Bosch Pty. Ltd
 Motorsport
 1555 Centre Road
 Clayton, Victoria, 3168
 Australia
 Tel.: +61 (3) 9541 3901
 motor.sport@au.bosch.com