

Inductive Speed Sensor IS

www.bosch-motorsport.com



BOSCH
Invented for life



- ▶ Crankshaft or wheel speed
- ▶ 32.2 mm depth/lead
- ▶ Bore diameter 12.5 mm
- ▶ Max. operating temperature 230°C

This sensor is designed for incremental measurement of rotational speed (e.g. crankshaft or wheel speed). The inductive sensor consists of a bar magnet with a soft magnetic pole pin supporting an induction coil with two connections. Every time a ferromagnetic ring gear turns past this sensor, it generates a voltage in the coil which is directly proportional to the periodic variation in the magnetic flux. The rotational speed is reflected on a periodic interval between the voltage's zero transition points.

The main benefit of this sensor is the combination of a high quality production part and robust, high temperature resistance. Additionally the installation depth can be changed according to the customer request.

Application

Application	Speed
Max. frequency	≤15 kHz
Target wheel air gap AG	0.8 ± 0.3 mm
Operating temp. range (sensing head)	-40 to 230°C
Storage temperature range	0 to 100°C
Max. vibration	800 m/s ² max. 80 h

Technical Specifications

Mechanical Data

Magnetic pole	Round
Bore diameter	12.5 mm
Tightening torque	8 Nm
Weight w/o wire	30 g
Installation depth L2	32.2 mm

Electrical Data

Coil resistance	1,200 Ohm
Inductance max.	400 mH
Output voltage max.	190 V P-P

Environment

Target wheel diameter D	160.43 mm
Thickness t	> 5 mm
Width of teeth b1	4.1 mm
Width of gap b2	4.3 mm
Depth of teeth h1	3.5 mm

Depth of teeth h2 1.75 mm

Number of teeth 60-2

Connectors and Wires

Connector ASL 6-06-05SN-HE

Mating connector F 02U 000 237-01
ASL 0-06-05PN-HE

Pin 1 Nc

Pin 2 Sig-

Pin 3 Sig+

Pin 4 Nc

Pin 5 Scr

Various motorsport and automotive connectors available on request.

Sleeve DR-25

Wire size AWG 24

Wire length L 10 to 100 cm

Please specify the required wire length with your order.

Safety Note

The sensor is not intended to be used for safety related applications without appropriate measures for signal validation in the application system.

Ordering Information

Inductive Speed Sensor IS

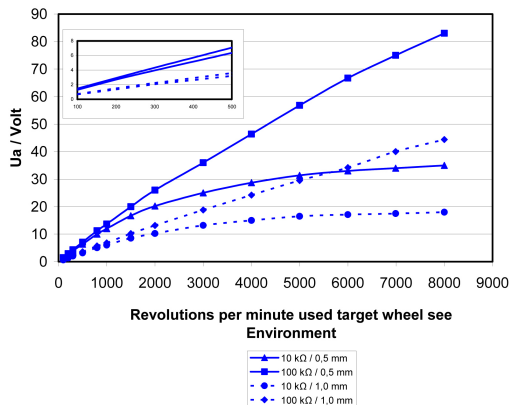
Order number **F 02U V02 573-01**

Inductive Speed Sensor IS

Without connector

Order number **F 02U V02 573-90**

Ua = f (rpm, airgap)



Installation Notes

The inductive speed sensor IS is developed for wheels made of ferromagnetic material.

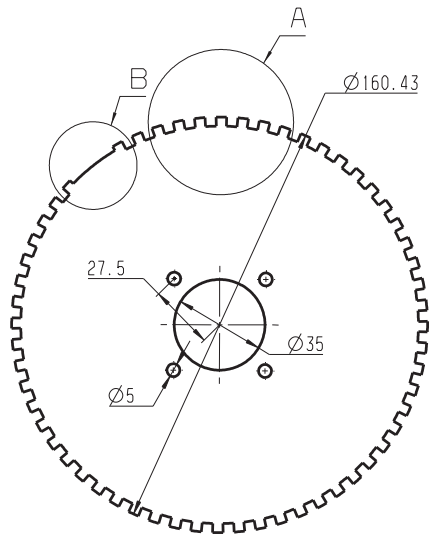
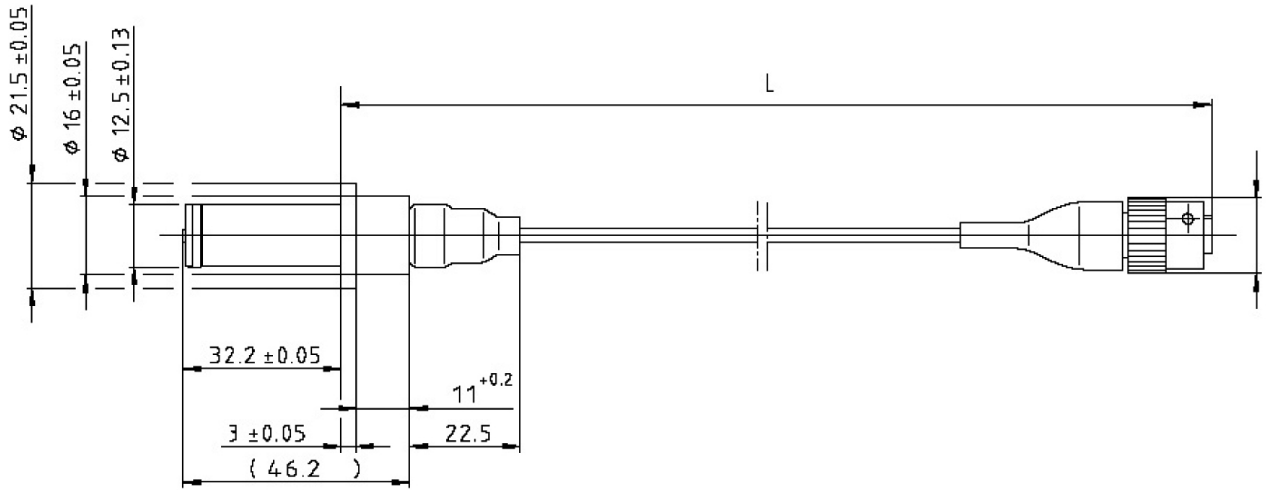
If a wheel with different dimensions is used (see Environment), the technical function has to be tested individually.

The installation depth L2 can be changed individually according to customer request.

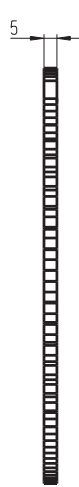
Please contact our technical consultancy for more information.

Please find further application hints in the offer drawing at our homepage.

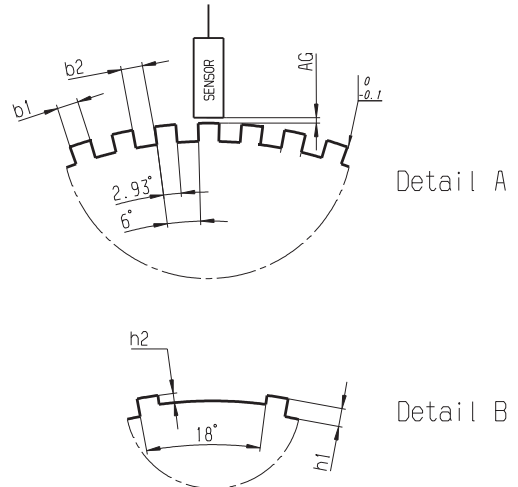
Dimensions



60-2 Teeth



Left view



Detail A

Detail B

Represented by:

Europe:
 Bosch Engineering GmbH
 Motorsport
 Robert-Bosch-Allee 1
 74232 Abstatt
 Germany
 Tel.: +49 7062 911 9101
 Fax: +49 7062 911 79104
 motorsport@bosch.com
 www.bosch-motorsport.de

North America:
 Bosch Engineering North America
 Motorsport
 38000 Hills Tech Drive
 Farmington Hills, MI 48331-3417
 United States of America
 Tel.: +1 248 876 2977
 Fax: +1 248 876 7373
 motorsport@bosch.com
 www.bosch-motorsport.com

Latin America:
 Robert Bosch Ltda
 Motorsport
 Av Juscelino Kubitscheck de
 Oliveira 11800
 Zip code 81460-900
 Curitiba - Parana
 Brasilia
 Tel.: +55 41 3341 2057
 Fax: +55 41 3341 2779

Asia-Pacific:
 Bosch Engineering Japan K.K.
 Motorsport
 18F Queen's Tower C, 2-3-5 Minato Mirai
 Nishi-ku, Yokohama-shi
 Kanagawa 220-6218
 Japan
 Tel.: +81 45 650 5610
 Fax: +81 45 650 5611
 www.bosch-motorsport.jp

Australia, New Zealand and South Africa:
 Robert Bosch Pty. Ltd
 Motorsport
 1555 Centre Road
 Clayton, Victoria, 3168
 Australia
 Tel.: +61 (3) 9541 3901
 motor.sport@au.bosch.com