

# Fuel Pump FP 200

www.bosch-motorsport.com



**BOSCH**  
Invented for life



- ▶ >200 l/h
- ▶ 1,030 g
- ▶ Max. 5 bar/8 bar
- ▶ Fuel lines screwed

The FP 200 is an inline roller cell pump for the installation outside or inside the fuel tank. It is capable of providing 200 l/h at 5 bar (8 bar). Bio-fuel can be delivered up to E85 (shortens lifetime!). The FP 200 is one of the most popular aftermarket fuel pumps and has an excellent price.

## Application

Fuel pressure	5 bar or 8 bar
Delivery rate at 5 bar and 22°C	260 ± 5 l/h at 14 V
Delivery rate at 8 bar and 22°C	220 ± 5 l/h at 14 V
Pressure limiting valve	10 to 12.5 bar rel.
Fuel compatibility	Up to E85 with shorter lifetime
Diesel compatibility	Not released
Operating temperature range	-20 to 90°C
Storage temperature range	-40 to 70°C
Max. vibration	3 mm at 10 to 18 Hz ≤40 m/s <sup>2</sup> at 18 to 60 Hz

## Technical Specifications

### Mechanical Data

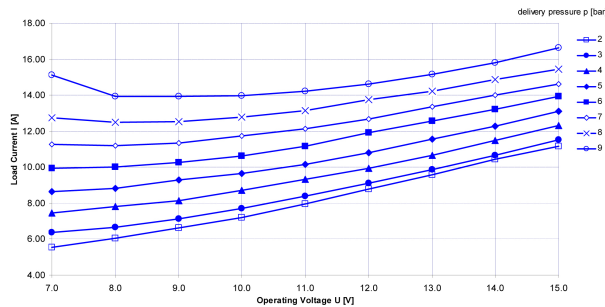
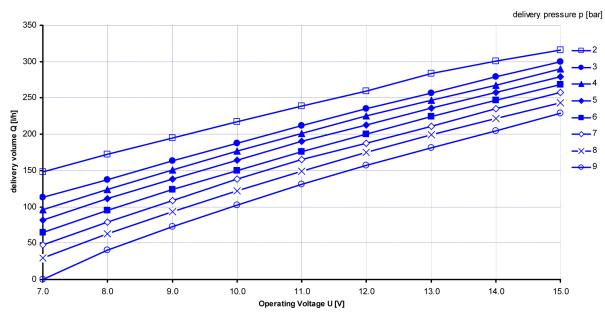
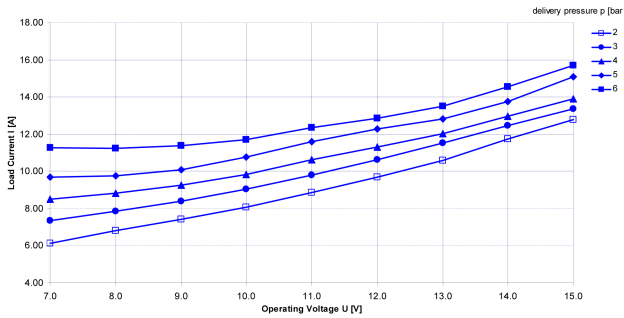
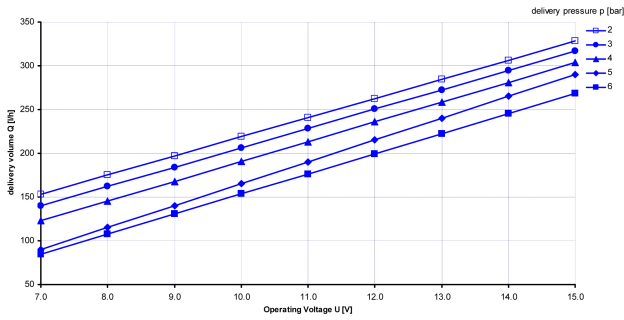
Diameter	60 mm
Length	196 mm
Weight	1,030 g
Mounting	Clamping

### Electrical Data

Supply voltage	6 to 16.5 V
Operating voltage	13.8 V
Load current at 5 bar and 22°C	14 ± 1 A
Load current at 8 bar and 22°C	15 ± 1 A

### Characteristic

Surface coating	None
Color	Silver
Non-return valve	External
Fuel filtering	External, on pressure side



### Installation Notes

With E26/E85 fuel run-time max. 500 h.

For technical reasons the values may vary.

Please use within the specified limit values only.

Please find further application hints in the offer drawing at our home-page.

### Ordering Information

#### Fuel Pump FP 200

Max. Pressure 5 bar

Order number **0 580 254 044**

#### Fuel Pump FP 200

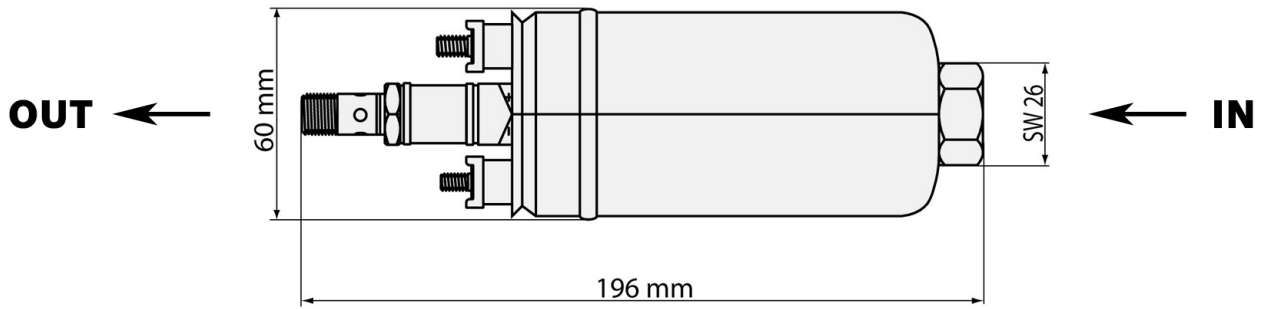
Max. Pressure 8 bar

Order number **B 261 205 413-01**

### Connectors and Wires

Electrical connector	+M6/-M5
Electrical matting connector	With ring wire M6 and M5
Mechanical connector intake side	M18x1.5
Mechanical connector pressure side	M12x1.5

Dimensions



Represented by:

**Europe:**  
 Bosch Engineering GmbH  
 Motorsport  
 Robert-Bosch-Allee 1  
 74232 Abstatt  
 Germany  
 Tel.: +49 7062 911 9101  
 Fax: +49 7062 911 79104  
 motorsport@bosch.com  
 www.bosch-motorsport.de

**North America:**  
 Bosch Engineering North America  
 Motorsport  
 38000 Hills Tech Drive  
 Farmington Hills, MI 48331-3417  
 United States of America  
 Tel.: +1 248 876 2977  
 Fax: +1 248 876 7373  
 motorsport@bosch.com  
 www.bosch-motorsport.com

**Latin America:**  
 Robert Bosch Ltda  
 Motorsport  
 Av Juscelino Kubitscheck de  
 Oliveira 11800  
 Zip code 81460-900  
 Curitiba - Parana  
 Brasilia  
 Tel.: +55 41 3341 2057  
 Fax: +55 41 3341 2779

**Asia-Pacific:**  
 Bosch Engineering Japan K.K.  
 Motorsport  
 18F Queen's Tower C, 2-3-5 Minato Mirai  
 Nishi-ku, Yokohama-shi  
 Kanagawa 220-6218  
 Japan  
 Tel.: +81 45 650 5610  
 Fax: +81 45 650 5611  
 www.bosch-motorsport.jp

**Australia, New Zealand and South Africa:**  
 Robert Bosch Pty. Ltd  
 Motorsport  
 1555 Centre Road  
 Clayton, Victoria, 3168  
 Australia  
 Tel.: +61 (3) 9541 3901  
 motor.sport@au.bosch.com