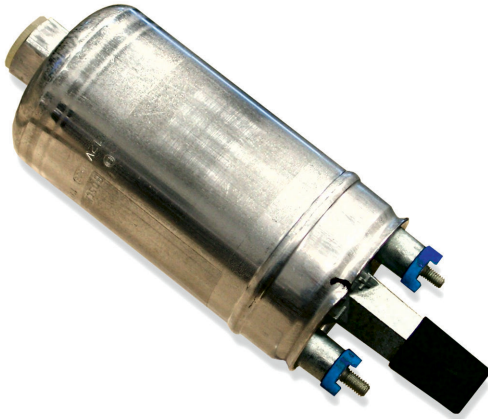


Fuel Pump FP 165

www.bosch-motorsport.com



BOSCH
Invented for life



- ▶ >165 l/h
- ▶ 980 g
- ▶ Max. 5 bar
- ▶ Fuel lines screwed

The FP 165 is an inline roller cell pump for the installation outside the fuel tank.

It is capable of providing 165 l/h at 5 bar. Bio-fuel can be delivered up to E85 (shortens lifetime!).

The FP 165 is a production type fuel pump, combining good quality at a low price.

Application

Fuel pressure	5 bar
Delivery rate at 5 bar and 22°C	205 ± 5 l/h at 14 V
Pressure limiting valve	7 to 12.5 bar rel.
Fuel compatibility	Up to E85 with shorter lifetime
Diesel compatibility	Not released
Operating temperature range	-20 to 90°C
Storage temperature range	-40 to 70°C
Max. vibration	3 mm at 10 to 18 Hz ≤40 m/s ² at 18 to 60 Hz

Technical Specifications

Mechanical Data

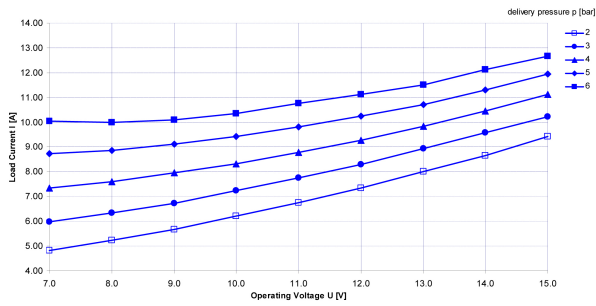
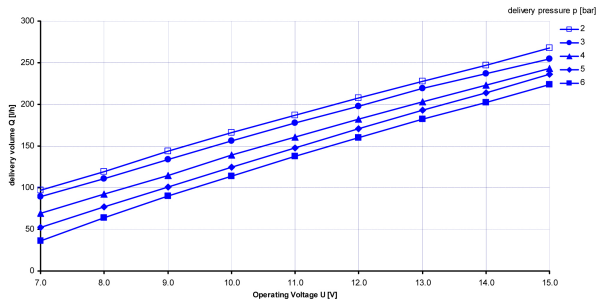
Diameter	60 mm
Length	168 mm
Weight	980 g
Mounting	Clamping

Electrical Data

Supply voltage	6 to 16.5 V
Operating voltage	13.8 V
Load current at 5 bar and 22°C	11.0 ± 2 A

Characteristic

Surface coating	None
Color	Silver
Non-return valve	Internal
Fuel filtering	External, on pressure side



Connectors and Wires

Electrical connector	+M4/-M5
Electrical matting connector	with ring wire M4 and M5
Mechanical connector intake side	M14x1.5
Mechanical connector pressure side	M12x1.5

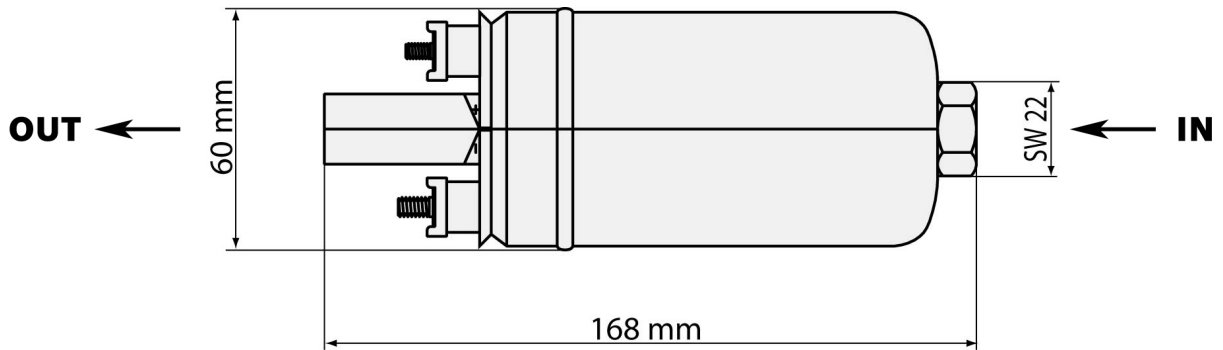
Installation Notes

- With E26/E85 fuel run-time max. 500 h.
- For technical reasons the values may vary.
- Please use within the specified limit values only.
- Please find further application hints in the offer drawing at our home-page.

Ordering Information

Fuel Pump FP 165
 Order number **0 580 254 979**

Dimensions



Represented by:

Europe:
 Bosch Engineering GmbH
 Motorsport
 Robert-Bosch-Allee 1
 74232 Abstatt
 Germany
 Tel.: +49 7062 911 9101
 Fax: +49 7062 911 79104
 motorsport@bosch.com
 www.bosch-motorsport.de

North America:
 Bosch Engineering North America
 Motorsport
 38000 Hills Tech Drive
 Farmington Hills, MI 48331-3417
 United States of America
 Tel.: +1 248 876 2977
 Fax: +1 248 876 7373
 motorsport@bosch.com
 www.bosch-motorsport.com

Latin America:
 Robert Bosch Ltda
 Motorsport
 Av Juscelino Kubitscheck de
 Oliveira 11800
 Zip code 81460-900
 Curitiba - Parana
 Brasilia
 Tel.: +55 41 3341 2057
 Fax: +55 41 3341 2779

Asia-Pacific:
 Bosch Engineering Japan K.K.
 Motorsport
 18F Queen's Tower C, 2-3-5 Minato Mirai
 Nishi-ku, Yokohama-shi
 Kanagawa 220-6218
 Japan
 Tel.: +81 45 650 5610
 Fax: +81 45 650 5611
 www.bosch-motorsport.jp

Australia, New Zealand and South Africa:
 Robert Bosch Pty. Ltd
 Motorsport
 1555 Centre Road
 Clayton, Victoria, 3168
 Australia
 Tel.: +61 (3) 9541 3901
 motor.sport@au.bosch.com