

# Wheel Speed Signal Splitter

www.bosch-motorsport.com



- ▶ ABS Wheel Speed Sensor Interface
- ▶ Lightweight Aluminum Housing

Bosch Motorsport has developed a wheel speed module that converts the Bosch DF11 (differential dual hall sensors) signals to a signal that can be processed by peripheral engine controlling devices and data recording systems. The adapter can be plugged into any Bosch ABS M4 loom.

The operation principle is that it forwards the sensor information to the ABS. In addition it converts the speed info into a digital signal. The type of output is open collector. The connected device needs to contain an internal pull up resistor of 2.15 kOhm to 12 V like the MS 4 ECUs.

The interface is available in two different housings supporting one connector or two connectors (see photo). The single connector type is used if the signal is fed back into an especially pre-defined ABS loom which connects e.g. to the original chassis loom. The double connector type is used if the speed signal is broadcast to the peripheral device via a separate loom.

The wheel speed signal splitter is designed to be used in combination with the Bosch Motorsport ABS system. Due to safety reasons it is not designed for usage in combination with other ABS systems

## Application

Application	ABS wheel speed sensor interface
Compatible sensor type	Bosch DF 11
Operating temperature range	-20 to 85°C
Storage temperature range	-20 to 85°C

## Technical Specifications

### Mechanical Data

Weight	53 g
Size (Single connector type)	101.8 x 63.5 x 30.3 mm
Size (Double connector type)	112.1 x 63.5 x 30.3 mm
Max. vibration	Vibration profile 1 (see Appendix or www.bosch-motorsport.com)

### Electrical Data

Power supply	12 V
Max. power supply (1 min)	25 V

**Connector for Single Connector Type**

Connector 1 (wide)	AS-012-35-PN
Mating connector AS-6-12-35-SN	F 02U 000 443-01

**Connectors for Double Connector Type**

Connector 1 (wide)	AS-2-12-35-PN
Mating connector AS-6-12-35-SN	F 02U 000 443-01
Connector 2 (small)	AS-2-08-35-PN
Mating connector AS-6-08-35-SN	F 02U 000 430-01

**Pinout Connector 1 (wide)**

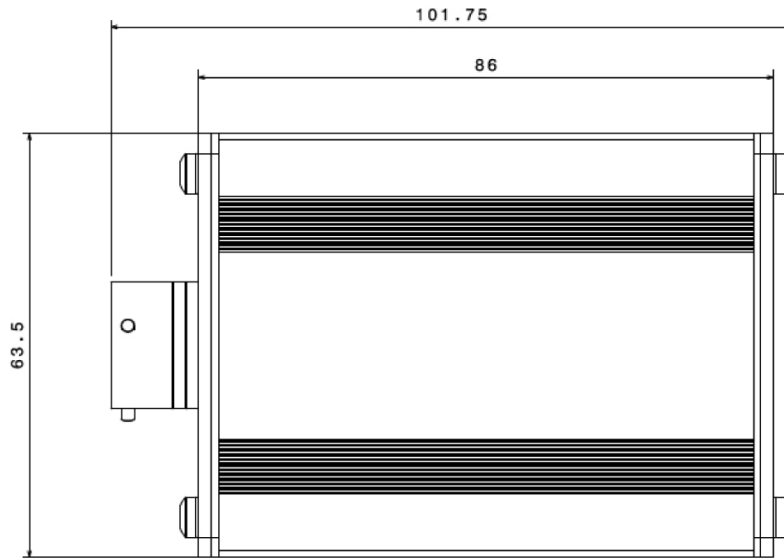
Pin	Description for one connector	Description for two connectors
1	Supply to DF11 (RR)	Supply to DF11 (RR)
2	Signal from DF11 (RR)	Signal from DF11 (RR)
3	Supply to DF11 (RL)	Supply to DF11 (RL)
4	Signal from DF11 (RL)	Signal from DF11 (RL)
5	Supply to DF11 (FR)	Supply to DF11 (FR)
6	Signal from DF11 (FR)	Signal from DF11 (FR)
7	Supply to DF11 (FL)	Supply to DF11 (FL)
8	Signal from DF11 (FL)	Signal from DF11 (FL)
9	Signal to ABS (FL)	Signal to ABS (FL)
10	DF11 supply from ABS (FL)	DF11 supply from ABS (FL)
11	Signal to ABS (FR)	Signal to ABS (FR)
12	DF11 supply from ABS (FR)	DF11 supply from ABS (FR)
13	Signal to ABS (RL)	Signal to ABS (RL)
14	DF11 supply from ABS (RL)	DF11 supply from ABS (RL)
15	Signal to ABS (RR)	Signal to ABS (RR)
16	DF11 supply from ABS (RR)	DF11 supply from ABS (RR)
17	Open collector Signal to ECU (FL)	Not used
18	Open collector Signal to ECU (FR)	Not used
19	UBat 12V	UBat 12V
20	Open collector Signal to ECU (RL)	Not used
21	Open collector Signal to ECU (RR)	Not used
22	ECU Ground	Not used

**Pinout Connector 2 (small)**

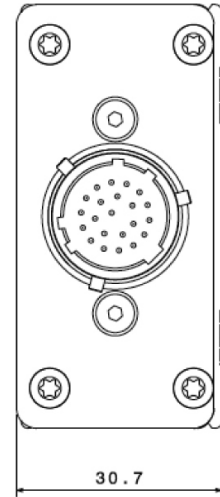
Pin	Description for one connector	Description for two connectors
1	n.a.	Open collector Signal to ECU (FL)
2	n.a.	Open collector Signal to ECU (FR)
3	n.a.	Open collector Signal to ECU (RL)
4	n.a.	Open collector Signal to ECU (RR)
5	n.a.	Not used
6	n.a.	ECU Ground

**Ordering Information****Single Connector Type**Order number **F 02U V00 335-03****Double Connector Type**Order number **F 02U V00 203-03**

Dimensions

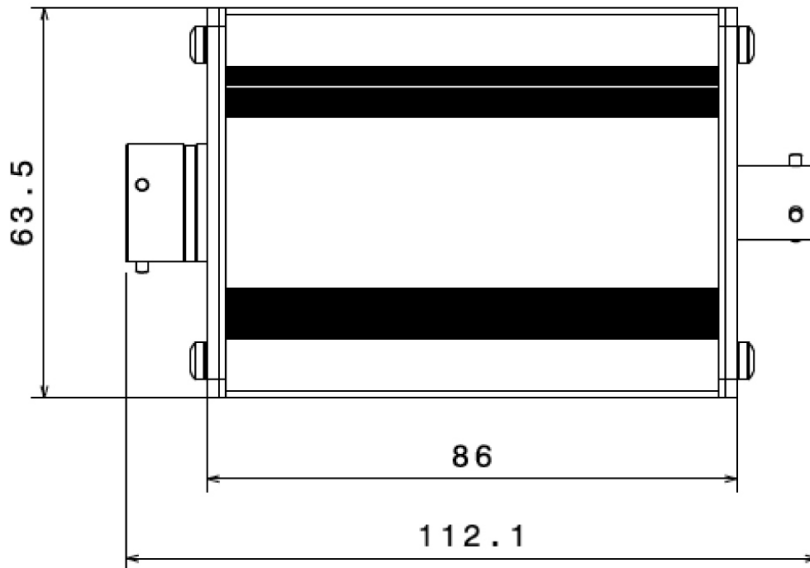


Front view

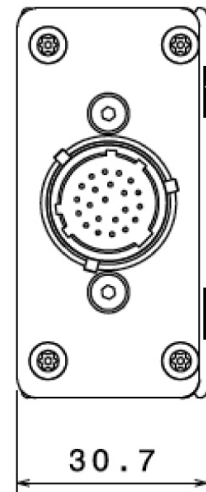


Left view

Single Connector Type Housing

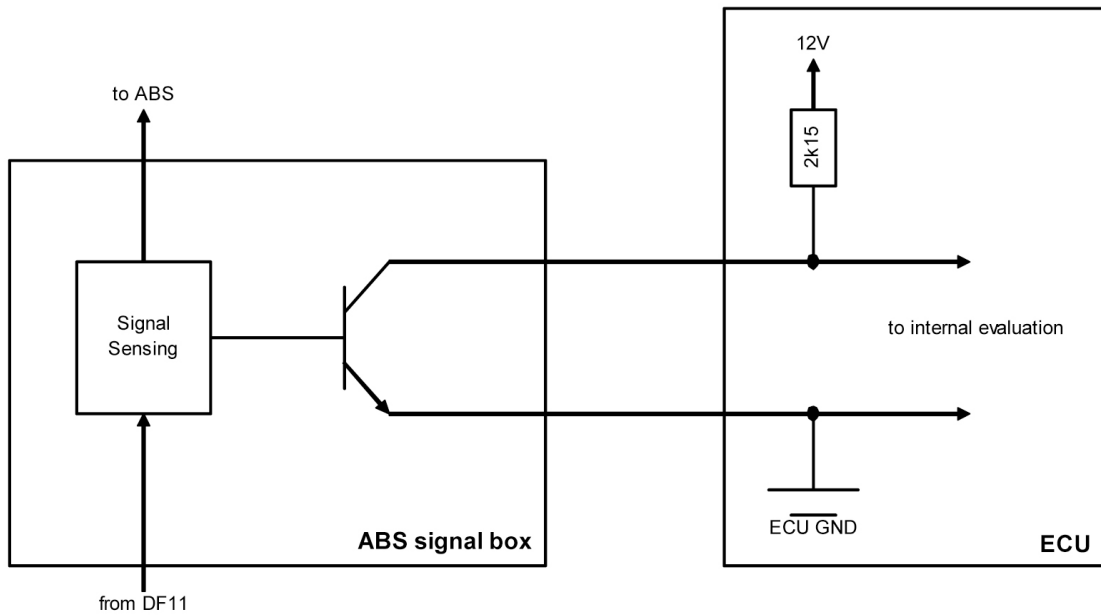


Front view



Left view

Double Connector Type Housing



Connection Scheme

**Represented by:**

**Europe:**  
 Bosch Engineering GmbH  
 Motorsport  
 Robert-Bosch-Allee 1  
 74232 Abstatt  
 Germany  
 Tel.: +49 7062 911 9101  
 Fax: +49 7062 911 79104  
 motorsport@bosch.com  
 www.bosch-motorsport.de

**North America:**  
 Bosch Engineering North America  
 Motorsport  
 38000 Hills Tech Drive  
 Farmington Hills, MI 48331-3417  
 United States of America  
 Tel.: +1 248 876 2977  
 Fax: +1 248 876 7373  
 motorsport@bosch.com  
 www.bosch-motorsport.com

**Latin America:**  
 Robert Bosch Ltda  
 Motorsport  
 Av Juscelino Kubitscheck de  
 Oliveira 11800  
 Zip code 81460-900  
 Curitiba - Parana  
 Brasilia  
 Tel.: +55 41 3341 2057  
 Fax: +55 41 3341 2779

**Asia-Pacific:**  
 Bosch Engineering Japan K.K.  
 Motorsport  
 18F Queen's Tower C, 2-3-5 Minato Mirai  
 Nishi-ku, Yokohama-shi  
 Kanagawa 220-6218  
 Japan  
 Tel.: +81 45 650 5610  
 Fax: +81 45 650 5611  
 www.bosch-motorsport.jp

**Australia, New Zealand and South Africa:**  
 Robert Bosch Pty. Ltd  
 Motorsport  
 1555 Centre Road  
 Clayton, Victoria, 3168  
 Australia  
 Tel.: +61 (3) 9541 3901  
 motor.sport@au.bosch.com