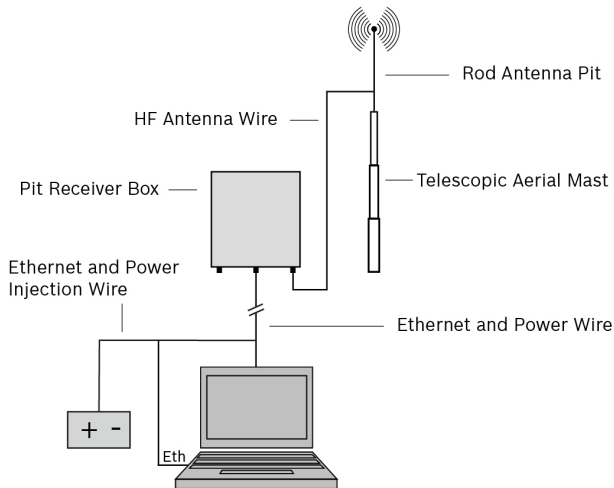


Pit Receiver Package

www.bosch-motorsport.com



BOSCH
Invented for life



The Pit Receiver Package contains everything that is required to start operation.

Technical Specifications

Package Parts

Pit Receiver Box (2 channels)	F 02U V01 460-01
HF antenna wire (8 m)	B 261 209 493-01
Rod antenna pit 7 dbi (2 m)	B 261 208 867-01
Ethernet and power wire (50 m)	F 02U V01 440-01
Ethernet and power injection wire (1.5 m)	B 261 209 744-01
Telescopic aerial mast (7.7 m)	B 261 208 873-01

Ordering Information

Pit Receiver Package

Order number **on request**