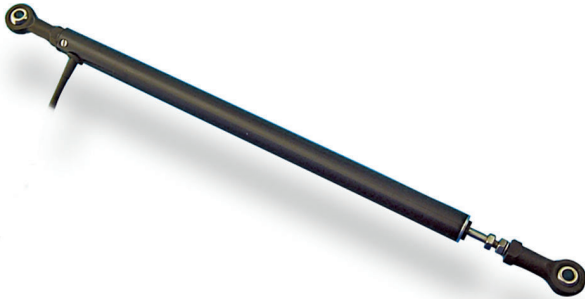


# Linear Position Sensor LP 150

www.bosch-motorsport.com



**BOSCH**  
Invented for life



- ▶ Measurement range: 0 to 150 mm
- ▶ Aluminum housing
- ▶ Low power consumption

The LP 150 is a linear potentiometer which is designed to measure the relative position of two points, e.g. the gear position, throttle position or suspension movement.

Its operating mode is based on the linear tape potentiometer principle where the distance travelled between the moving end to the wiper is proportional to the resistance between them.

The advantage of this LP is its precise and compact design with an anodized aluminum cylindrical housing, low power consumption and infinite resolution

## Application

Application	0 to 150 mm
Temperature range	-40 to 85°C

## Technical Specifications

### Mechanical Data

Weight w/o wire	118 g
Min. length	282 mm
Mounting	2 x M5
Tightening torque	10 Nm

Protection	IP65
Max. shaft velocity	1 m/sec

### Electrical Data

Power supply	5 V
Power supply max.	130 V
Nominal resistance	6 kOhm
Resistance tolerance	10 %
Non-linearity	0.15 %

### Connectors and Wires

Connector	ASL 6-06-05PA-HE
Connector loom	F 02U 000 226-01
ASL 0-06-05SA-HE	
Pin 1	U <sub>s</sub>
Pin 2	Gnd
Pin 3	Sig
Pin 4	-
Pin 5	-
Sleeve	DR-25

## 2 | Linear Position Sensor LP 150

Wire size	AWG 24
Wire length L	15 to 25 cm

Various motorsport and automotive connectors on request.

Please specify the requested wire length with your order.

### Installation Notes

The LP 150 can be connected directly to most electronic control units and data logging systems.

Ball joints at shaft end and case.

Each mounting orientation is possible.

Please find further application hints in the offer drawing at our home-page.

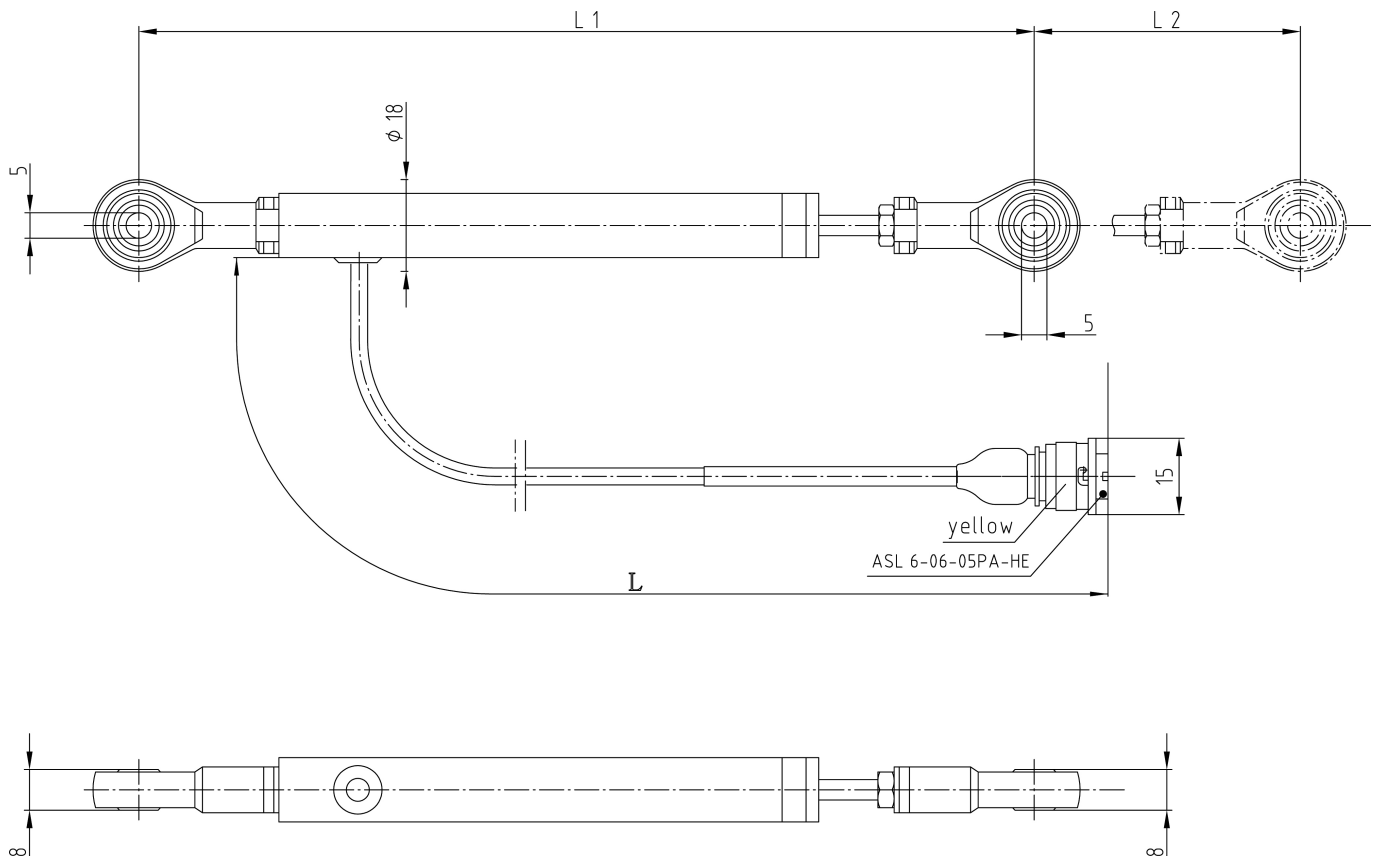
### Safety Note

The sensor is not intended to be used for safety related applications without appropriate measures for signal validation in the application system.

### Ordering Information

**Linear Position Sensor LP 150**  
Order number **B 261 209 534-01**

### Dimensions



**Represented by:**

**Europe:**  
Bosch Engineering GmbH  
Motorsport  
Robert-Bosch-Allee 1  
74232 Abstatt  
Germany  
Tel.: +49 7062 911 9101  
Fax: +49 7062 911 79104  
motorsport@bosch.com  
www.bosch-motorsport.de

**North America:**  
Bosch Engineering North America  
Motorsport  
38000 Hills Tech Drive  
Farmington Hills, MI 48331-3417  
United States of America  
Tel.: +1 248 876 2977  
Fax: +1 248 876 7373  
motorsport@bosch.com  
www.bosch-motorsport.com

**Latin America:**  
Robert Bosch Ltda  
Motorsport  
Av Juscelino Kubitscheck de  
Oliveira 11800  
Zip code 81460-900  
Curitiba - Parana  
Brasilia  
Tel.: +55 41 3341 2057  
Fax: +55 41 3341 2779

**Asia-Pacific:**  
Bosch Engineering Japan K.K.  
Motorsport  
18F Queen's Tower C, 2-3-5 Minato Mirai  
Nishi-ku, Yokohama-shi  
Kanagawa 220-6218  
Japan  
Tel.: +81 45 650 5610  
Fax: +81 45 650 5611  
www.bosch-motorsport.jp

**Australia, New Zealand and South Africa:**  
Robert Bosch Pty. Ltd  
Motorsport  
1555 Centre Road  
Clayton, Victoria, 3168  
Australia  
Tel.: +61 (3) 9541 3901  
motor.sport@au.bosch.com