

Inductive Speed Sensor IA-C

www.bosch-motorsport.com



BOSCH
Invented for life



- ▶ Crankshaft or wheel speed
- ▶ 24.0 mm, 315° depth/lead
- ▶ Bore diameter 18 mm

This sensor is designed for incremental measurement of rotational speed (e.g. crankshaft or wheelspeed). The inductive sensor consists of a bar magnet with a soft magnetic pole pin supporting an induction coil with two connections. Every time a ferromagnetic ring gear turns past this sensor, it generates a voltage in the coil which is directly proportional to the periodic variation in the magnetic flux. The rotational speed is reflected on a periodic interval between the voltage's zero transition points.

It is available in a DR-25 sleeve with various connector options.

The main benefit of this sensor is the combination of a high quality production part and robust, compact design.

Application

Application	Speed
Max. frequency	≤ 15 kHz
Target wheel air gap AG	0.8 ± 0.3 mm
Operating temp. range (sensing head)	-40 to 130°C
Storage temperature range	-40 to 100°C
Max. vibration	800 m/s ² max. 80 h

Technical Specifications

Mechanical Data

Magnetic pole	Round
Bore diameter	18 mm
Tightening torque	8 Nm
Weight w/o wire	40 g
Installation depth L2	23.7 mm

Electrical Data

Coil resistance	860 Ohm ± 10 %
Inductance max.	370 mH ± 15 %
Output voltage max.	200 VP-P

Environment

Target wheel diameter D	160.43 mm
Thickness t	> 5 mm
Width of teeth b1	4.1 mm
Width of gap b2	4.3 mm
Depth of teeth h1	3.5 mm

Depth of teeth h2	1.75 mm
-------------------	---------

Number of teeth	60-2
-----------------	------

Connectors and Wires

Connector	1 928 404 227
-----------	---------------

Mating connector 3-pole Compact	D 261 205 335-01
------------------------------------	------------------

Pin 1	Sig+
-------	------

Pin 2	Sig-
-------	------

Pin 3	Scr
-------	-----

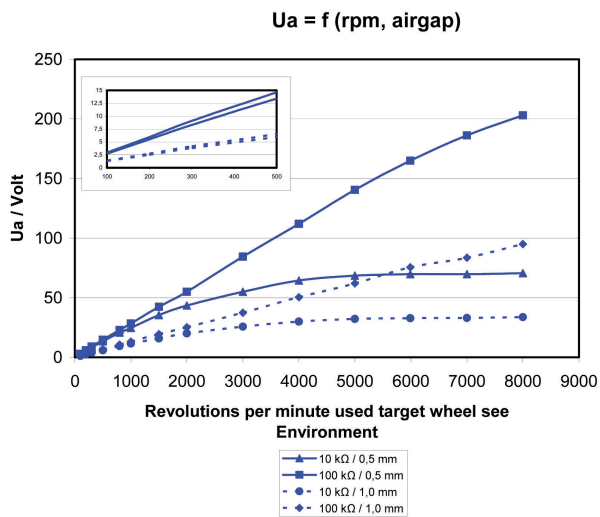
Various motorsport and automotive connectors are available on request.

Please specify the required wire length with your order.

Ordering Information

Inductive Speed Sensor IA-C

Order number **0 261 210 136**



Installation Notes

The inductive speed sensor IA-C is developed for wheels made of ferromagnetic material.

If a wheel with different dimensions is used (see Environment), the technical function has to be tested individually.

Please contact our technical consultancy for more information.

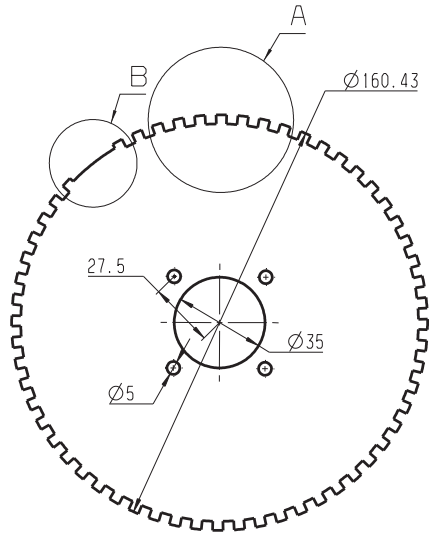
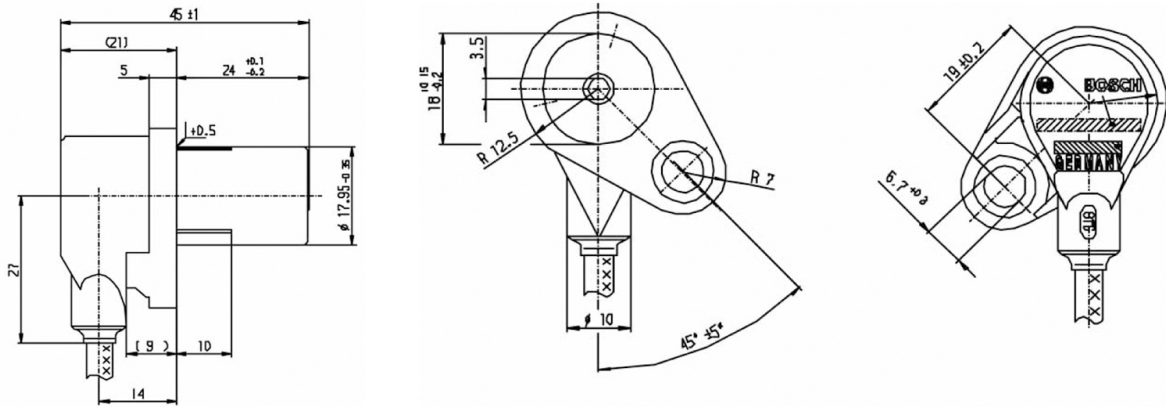
Please find further application hints in the offer drawing at our homepage.

The inductive speed sensor IA-C is developed for wheels made of ferromagnetic material.

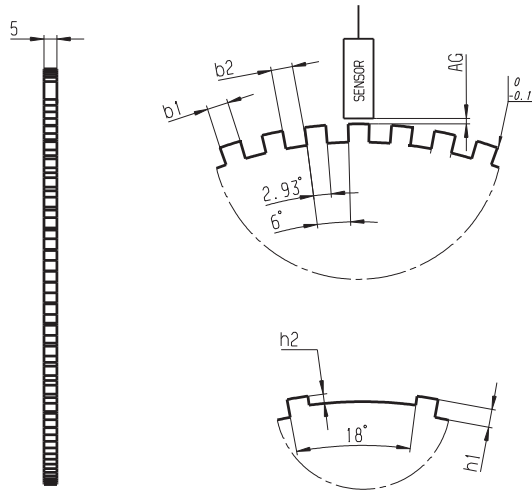
Safety Note

The sensor is not intended to be used for safety related applications without appropriate measures for signal validation in the application system.

Dimensions



60-2 Teeth



Left view

Represented by:

Europe:
 Bosch Engineering GmbH
 Motorsport
 Robert-Bosch-Allee 1
 74232 Abstatt
 Germany
 Tel.: +49 7062 911 9101
 Fax: +49 7062 911 79104
 motorsport@bosch.com
 www.bosch-motorsport.de

North America:
 Bosch Engineering North America
 Motorsport
 38000 Hills Tech Drive
 Farmington Hills, MI 48331-3417
 United States of America
 Tel.: +1 248 876 2977
 Fax: +1 248 876 7373
 motorsport@bosch.com
 www.bosch-motorsport.com

Latin America:
 Robert Bosch Ltda
 Motorsport
 Av Juscelino Kubitschek de
 Oliveira 11800
 Zip code 81460-900
 Curitiba - Parana
 Brasilia
 Tel.: +55 41 3341 2057
 Fax: +55 41 3341 2779

Asia-Pacific:
 Bosch Engineering Japan K.K.
 Motorsport
 18F Queen's Tower C, 2-3-5 Minato Mirai
 Nishi-ku, Yokohama-shi
 Kanagawa 220-6218
 Japan
 Tel.: +81 45 650 5610
 Fax: +81 45 650 5611
 www.bosch-motorsport.jp

Australia, New Zealand and South Africa:
 Robert Bosch Pty. Ltd
 Motorsport
 1555 Centre Road
 Clayton, Victoria, 3168
 Australia
 Tel.: +61 (3) 9541 3901
 motor.sport@au.bosch.com