

HPI 5-M 4C

www.bosch-motorsport.com



BOSCH
Invented for life



- ▶ Max. 4 cylinders
- ▶ Max. 15,000 rpm (4 cyl. operation)
- ▶ 400 g

The injector power stage HPI 5-M 4C is a device for driving injectors and high pressure pumps for gasoline direct injection. Combined with a suitable ECU up to 4 injectors can be driven. Overlapping injection of injectors is possible. The HPI 5-M is mainly designed to drive the Bosch high pressure pump HDP 5. Communication between main ECU and the HPI 5-M is realized via CAN interface.

Application

Max. number of cylinders	4
Max. rpm (4 cyl. operation)	15,000

Optimized for Bosch high pressure injection valve HDEV 5 and Bosch high pressure pump HDP 5

Technical Specifications

Mechanical Data

Aluminum housing	
Each connector pin individually filtered	
Housing temperature	-25 to 100°C
Size (incl. connectors)	167 x 97 x 39 mm

Protection Classification	IP67 to DIN 40050, Section 9, Issue 2008
---------------------------	--

Weight	400 g
--------	-------

Electrical Data

Voltage supply	14 V
Operating voltage	12 to 16 V
Operation voltage (engine start)	6.5 to 16 V
Nominal voltage	14 V

Connectors and Wires

Mating connector	AS 616-26SN
------------------	-------------

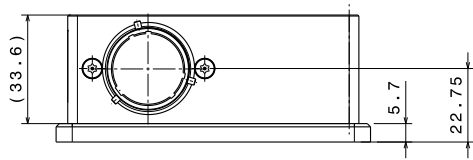
Communication

1 CAN (1 MBaud)

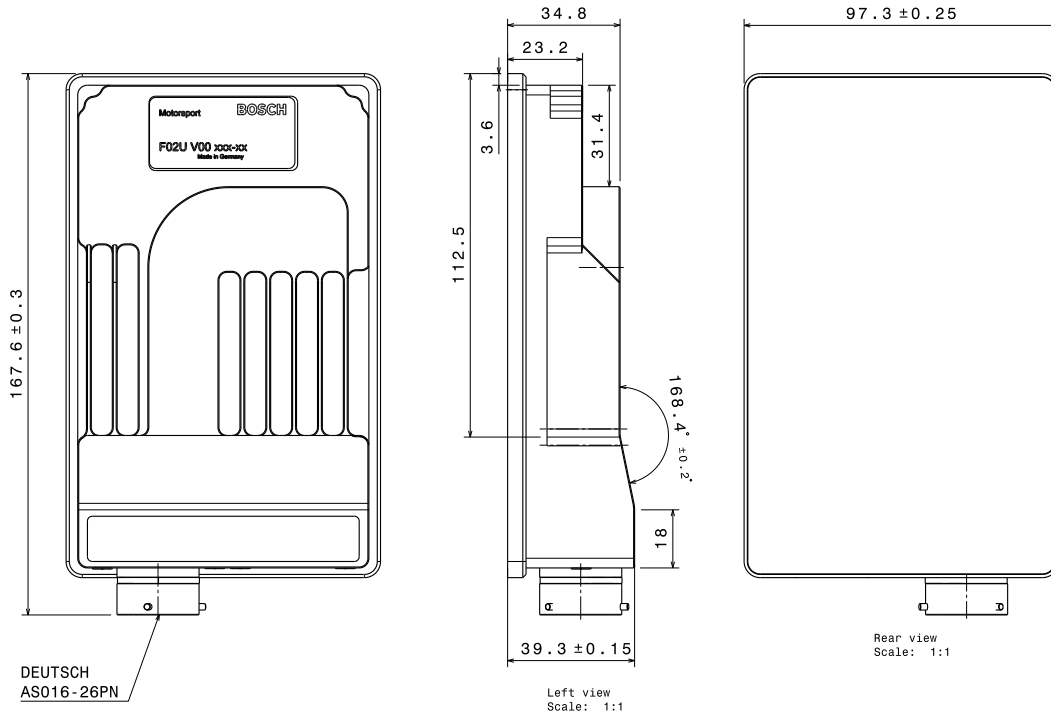
Ordering Information

HPI 5-M 4C
Order number **F 02U V01 629-01**

Dimensions



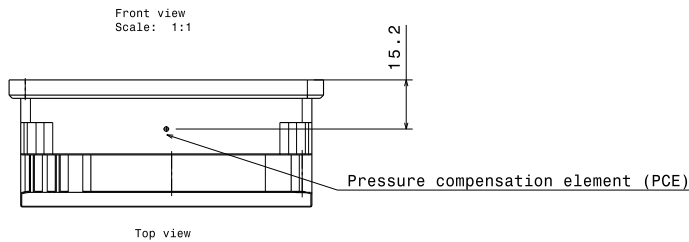
Bottom view
Scale: 1:1



DEUTSCH
AS016-26PN

Left view
Scale: 1:1

Rear view
Scale: 1:1



Top view

Represented by:

Europe:
Bosch Engineering GmbH
Motorsport
Robert-Bosch-Allee 1
74232 Abstatt
Germany
Tel.: +49 7062 911 9101
Fax: +49 7062 911 79104
motorsport@bosch.com
www.bosch-motorsport.de

North America:
Bosch Engineering North America
Motorsport
38000 Hills Tech Drive
Farmington Hills, MI 48331-3417
United States of America
Tel.: +1 248 876 2977
Fax: +1 248 876 7373
motorsport@bosch.com
www.bosch-motorsport.com

Latin America:
Robert Bosch Ltda
Motorsport
Av Juscelino Kubitschek de
Oliveira 11800
Zip code 81460-900
Curitiba - Parana
Brasilia
Tel.: +55 41 3341 2057
Fax: +55 41 3341 2779

Asia-Pacific:
Bosch Engineering Japan K.K.
Motorsport
18F Queen's Tower C, 2-3-5 Minato Mirai
Nishi-ku, Yokohama-shi
Kanagawa 220-6218
Japan
Tel.: +81 45 650 5610
Fax: +81 45 650 5611
www.bosch-motorsport.jp

Australia, New Zealand and South Africa:
Robert Bosch Pty. Ltd
Motorsport
1555 Centre Road
Clayton, Victoria, 3168
Australia
Tel.: +61 (3) 9541 3901
motor.sport@au.bosch.com